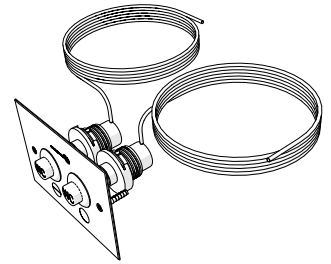


## SS Anti-Vandal Dual Flush Plate Assembly for Pneumatic Inwall Cisterns

PRODUCT CODE:

- 656510



### SPECIFICATIONS

- Face plate assembly features pneumatic dual flush push activation buttons for Inwall Cisterns.
- 2mm thick, Vandal resistant stainless steel faceplate

### TECHNICAL DATA

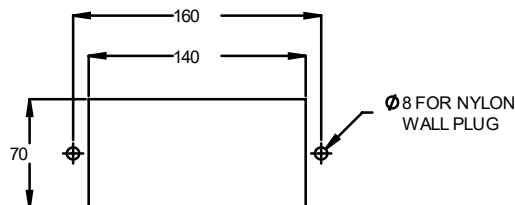
Sensor	Type	N/A
	Activation	Push Button
	Connections	Pneumatic
	Hose length	3m
Finish	Stainless Steel	

**NOTE:** Galvin Specialised continually strive to improve their products. Specifications may change without notice.

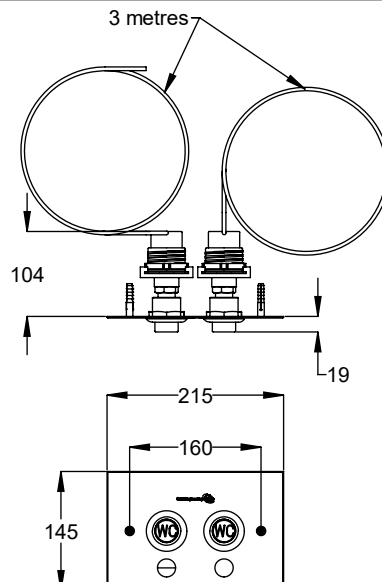
### MOUNTING DETAILS

#### Face plate position and Cut out details for face plate

- The push button can be positioned as preferred but consideration should be given to ensure it is easily accessible for children and adults.
- A 70mm x 140mm cut out is required in the wall to fit the two push buttons. Drill two holes 160 mm from centres as shown for two nylon wall plugs  $\varnothing 8$  X 40mm

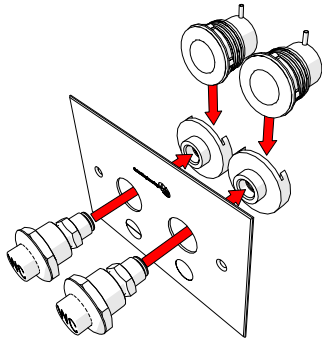


### COMPONENT DIMENSIONS



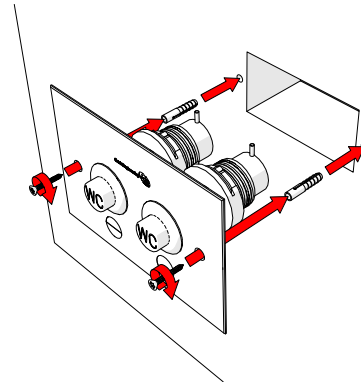


## INSTALLATION



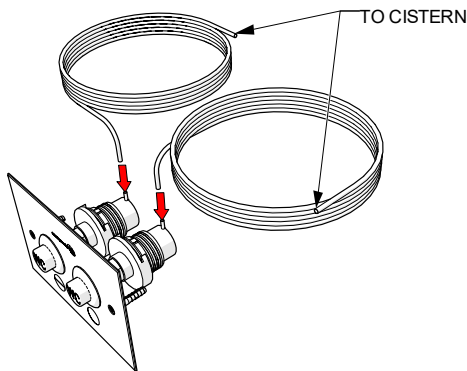
### 1. Install the Push Button

- Install push button through the face plate.
- Screw in adapter and air pump.



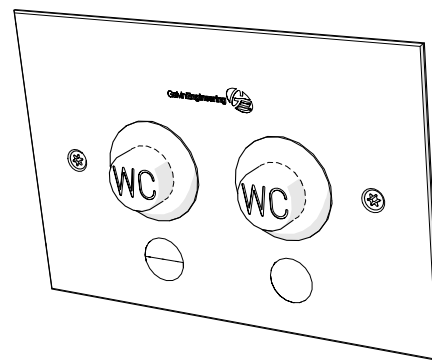
### 2. Mount face plate

- Install nylon wall plug as shown.
- The stainless steel face plate is always mounted flush to the wall.
- Apply a thin bead of silicon on the edge of cut out.
- Mount faceplate to the wall using the two countersunk head post torx self-tapping screw.



### 3. Connect the air tube

- Connect the air tube to the nipple on the air pump and the other end to the cistern as shown.



### 4. Check for correct operation

- Ensure screws are securely tightened and no leaks on the air tube.
- Check for correct operation.



## TROUBLE SHOOTING

PROBLEM	CAUSE	RECTIFICATION
No water flow	No air supplied from air pump	Check iar tube for leaks Replace damage air pump
	Faulty Push button	Replace damaged push button
	Incorrect connections	Check all connections

## MAINTENANCE INSTRUCTIONS

### Push Button, Air Pump, Face Plate

These items are non-serviceable products. If damaged they must be replaced.  
If there appears to be any problems with these items please contact Galvin Engineering.

**Note: Before attempting to replace any of these items check that you have access to re-run the connection leads. If you do not have access or you have any doubts, please contact Galvin Specialised for advice before commencing replacement.**

## WARRANTY

The warranty set forth herein is given expressly and is the only warranty given by the Galvin Engineering Pty Ltd. With respect to the product, Galvin Engineering Pty Ltd makes no other warranties, express or implied. Galvin Engineering Pty. Ltd. hereby specifically disclaims all other warranties, express or implied, including but not limited to the implied warranties of merchantability and fitness for a particular purpose.

Galvin Engineering Pty Ltd products are covered under our manufacturer's warranty available for download from [www.galvinengineering.com.au](http://www.galvinengineering.com.au) Galvin Engineering Pty Ltd expressly warrants that the product is free from operational defects in workmanship and materials for the warranty period as shown on the schedule in the manufacturer's warranty. During the warranty period, Galvin Engineering will replace or repair any defective products manufactured by Galvin Engineering without charge, so long as the terms of the Manufacturer's warranty are complied with.

The remedy described in the first paragraph of this warranty shall constitute the sole and exclusive remedy for breach of warranty, and Galvin Engineering Pty Ltd shall not be responsible for any incidental, special or consequential damages, including without limitation, lost profits or the cost of repairing or replacing other property which is damaged if this product does not work properly, other costs resulting from labour charges, delays, vandalism, negligence, fouling caused by foreign material, damage from adverse water conditions, chemical, electrical or any other circumstances over which Galvin Engineering has no control. This warranty shall be invalidated by any abuse, misuse, misapplication, improper installation or improper maintenance or alteration of the product.